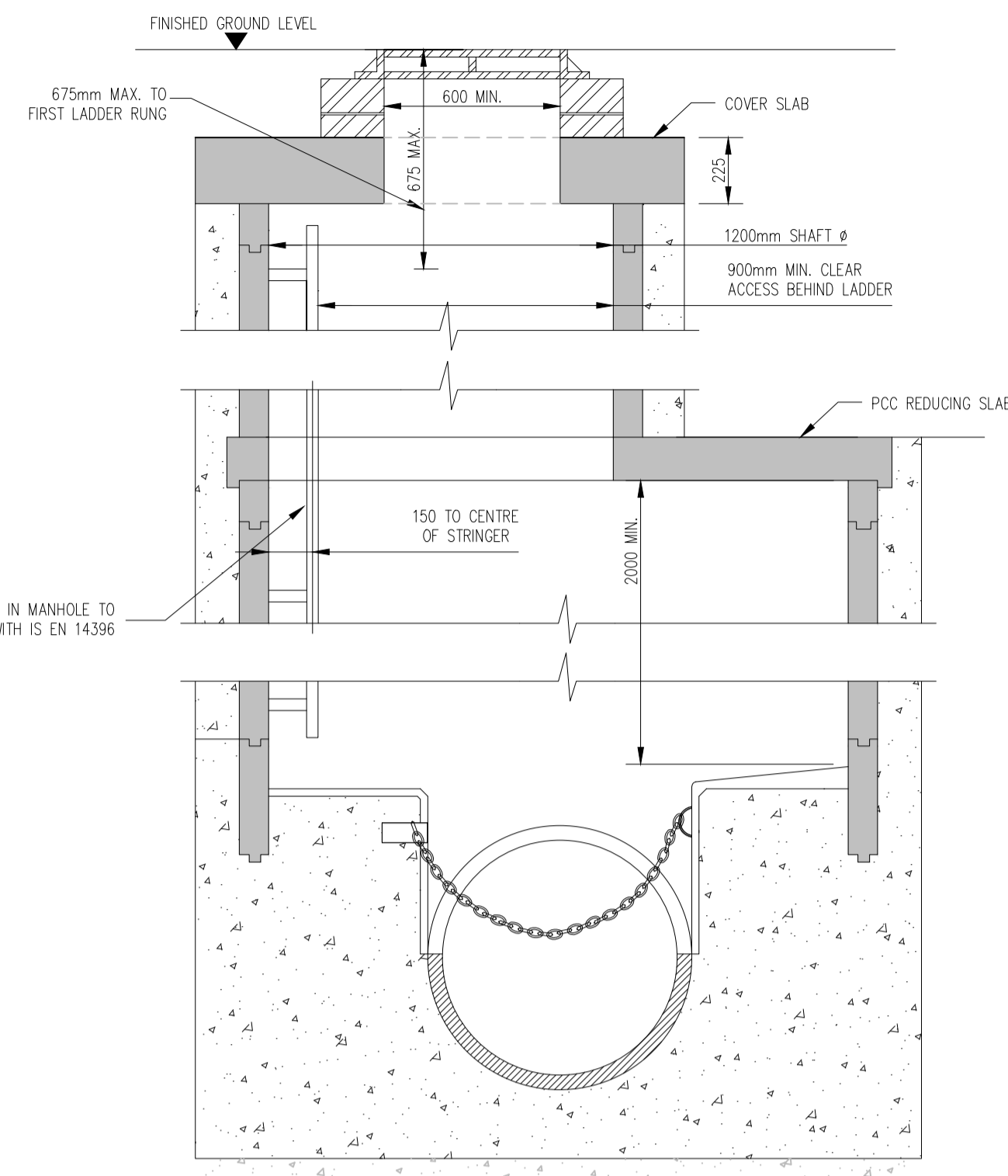
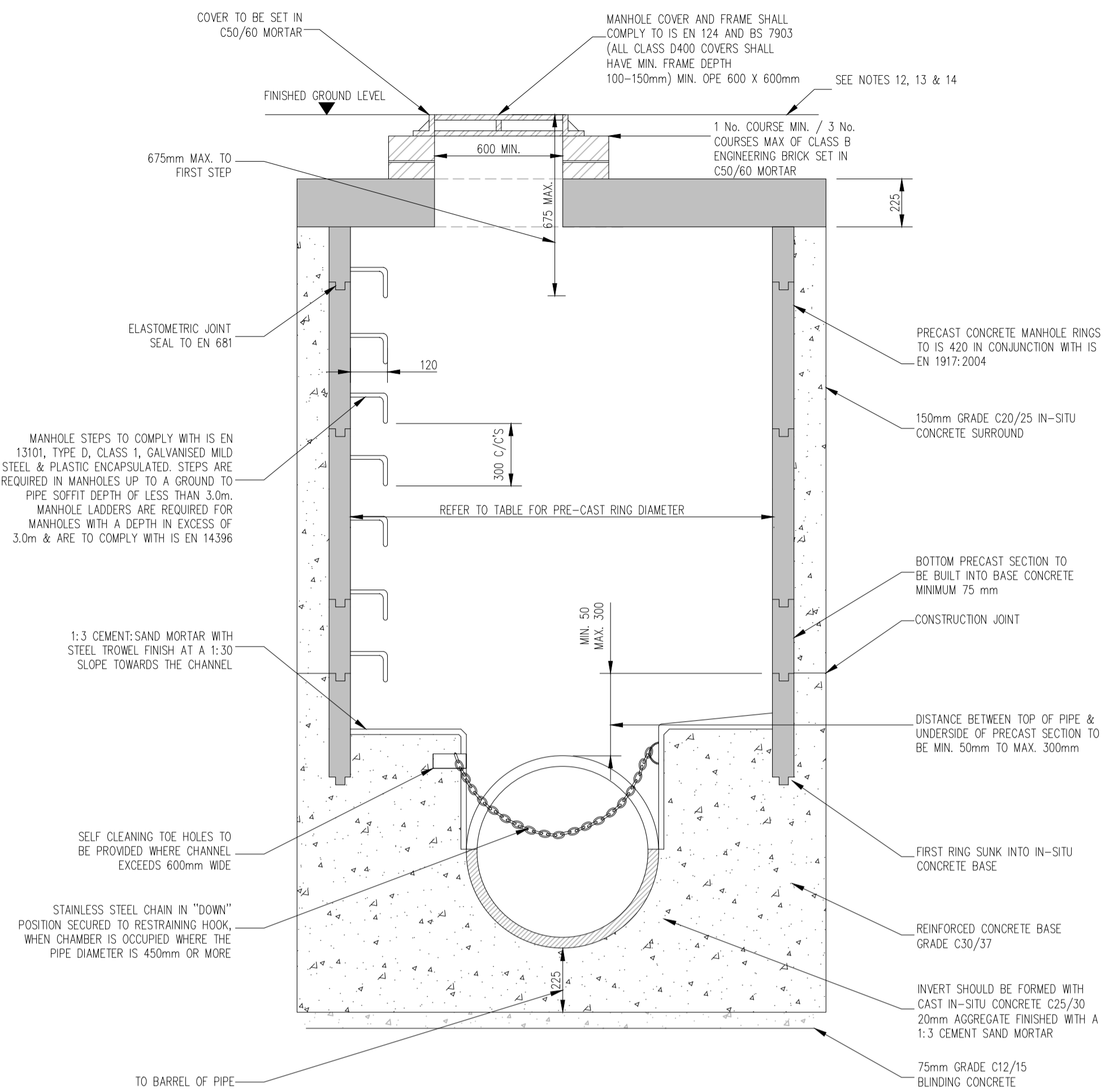


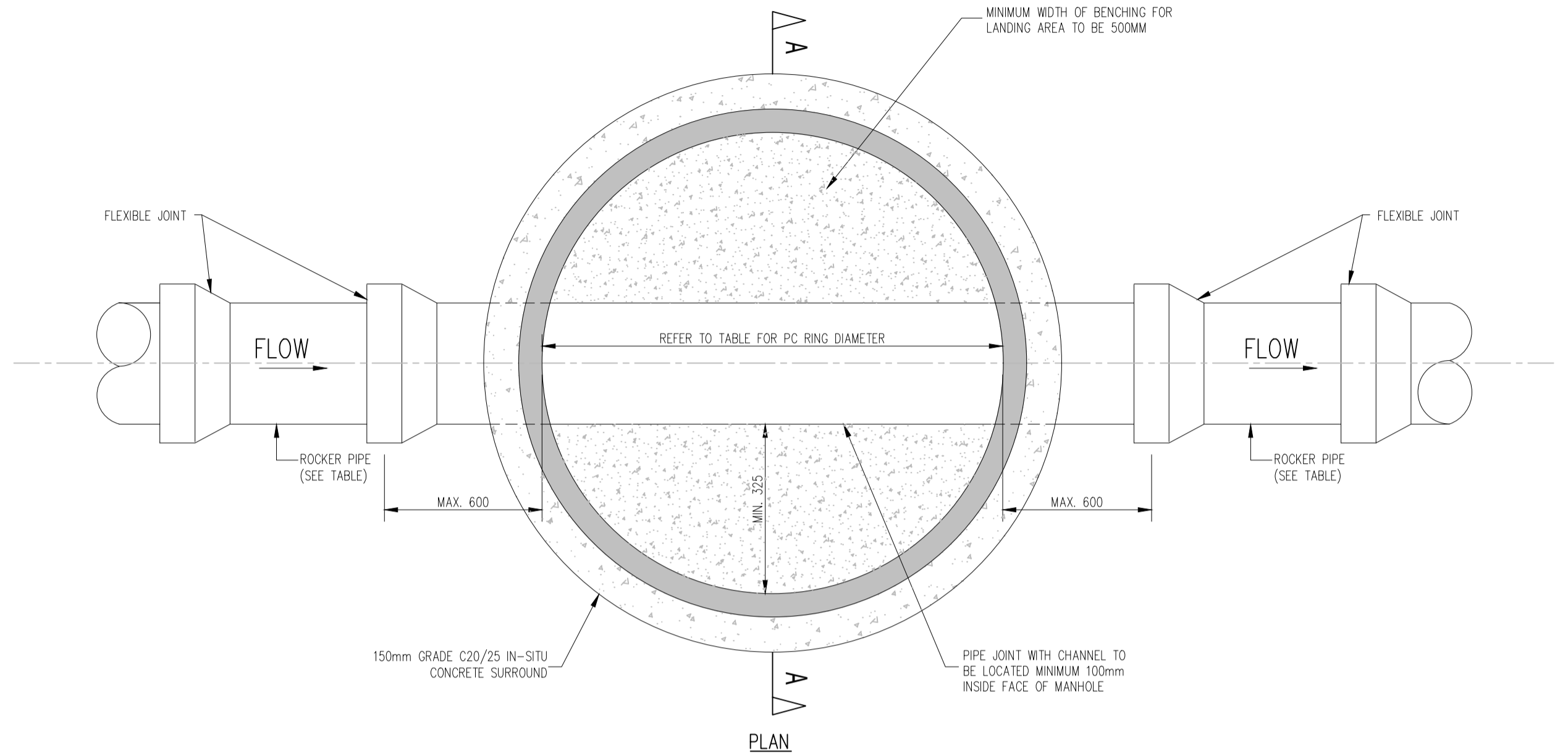
NOTES	
<b>GENERAL</b>	
1.) THESE DRAWINGS TO BE READ IN CONJUNCTION WITH ALL RELEVANT HAYES HIGGINS ENGINEERING DRAWINGS AND SPECIFICATIONS.	
2.) DO NOT SCALE. USE FIGURED DIMENSIONS ONLY.	
3.) FOUL WATER/WASTE WATER TO CURRENT IRISH WATER SPECIFICATION AND DETAILS (W-CDS-5030-01).	

ROCKER PIPE LENGTH	
PIPE DIAMETER (mm)	ROCKER PIPE LENGTH (mm)
150 - 600	600
> 600 - 750	1000
> 750	1250

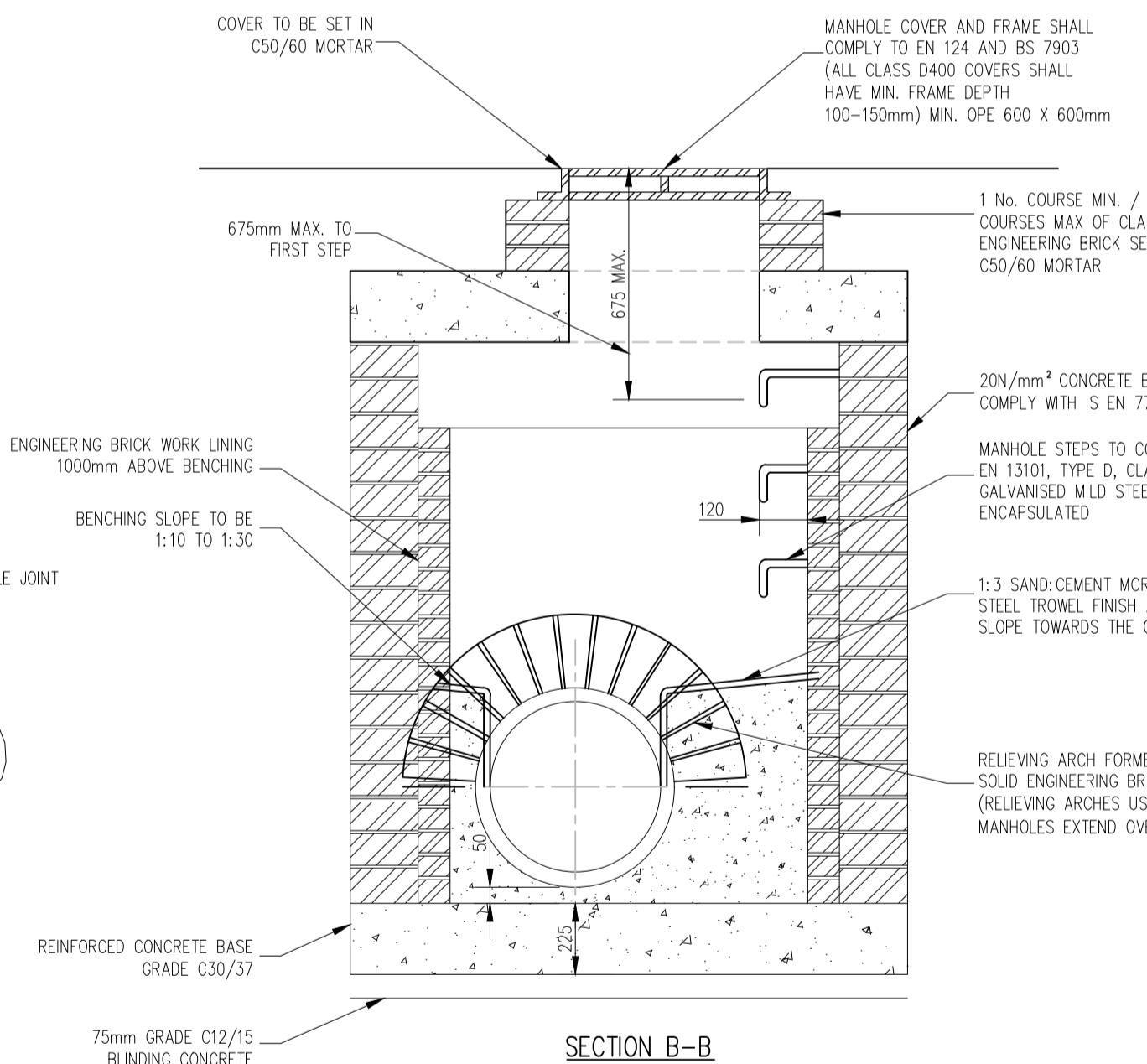
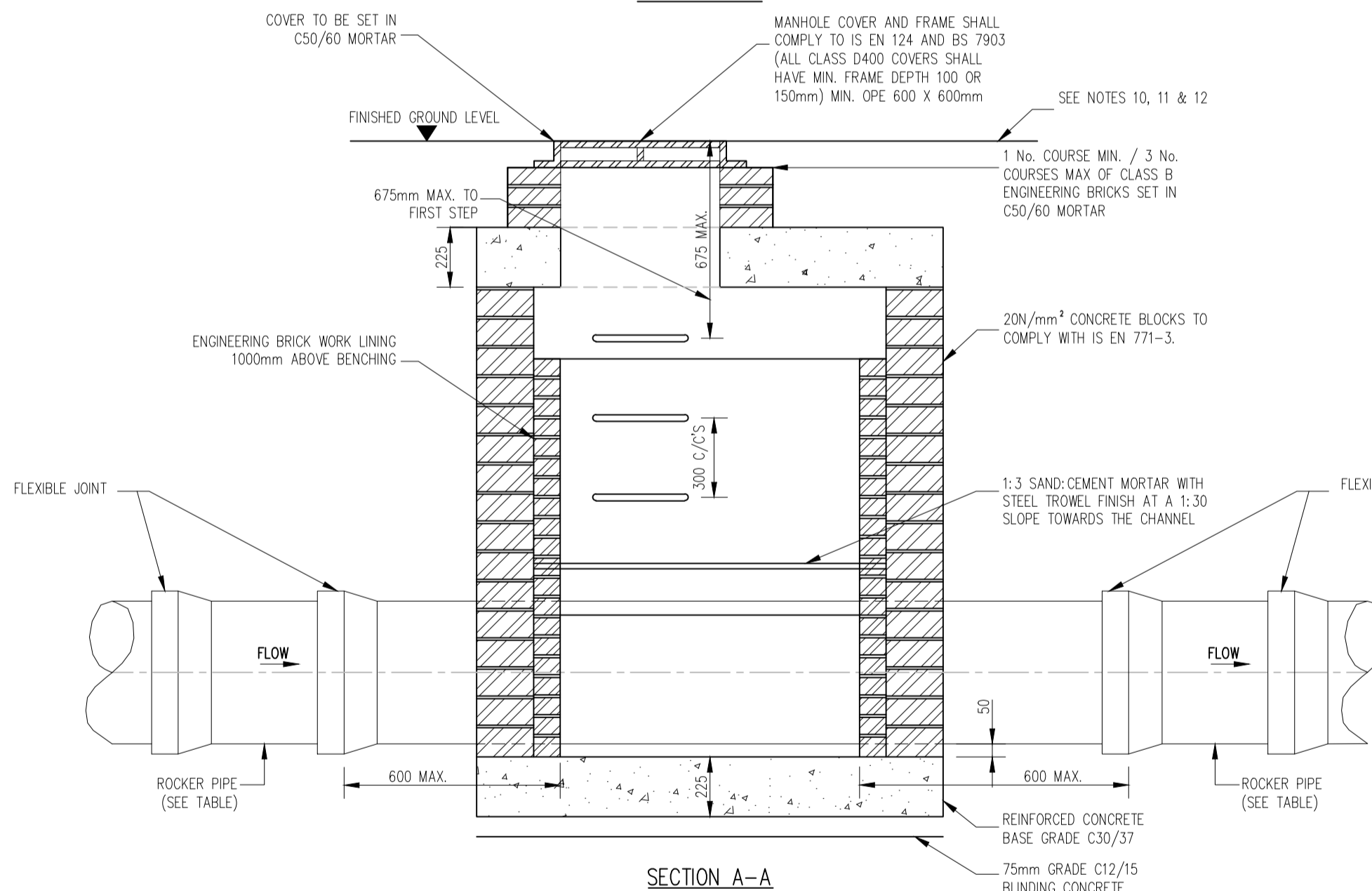
MINIMUM MANHOLE DIAMETERS	
DIAMETER OF LARGEST PIPE IN MANHOLE (mm)	INTERNAL DIAMETER OF MANHOLE (mm)
< 375	1200
375 TO 450	1350
500 TO 750	1500



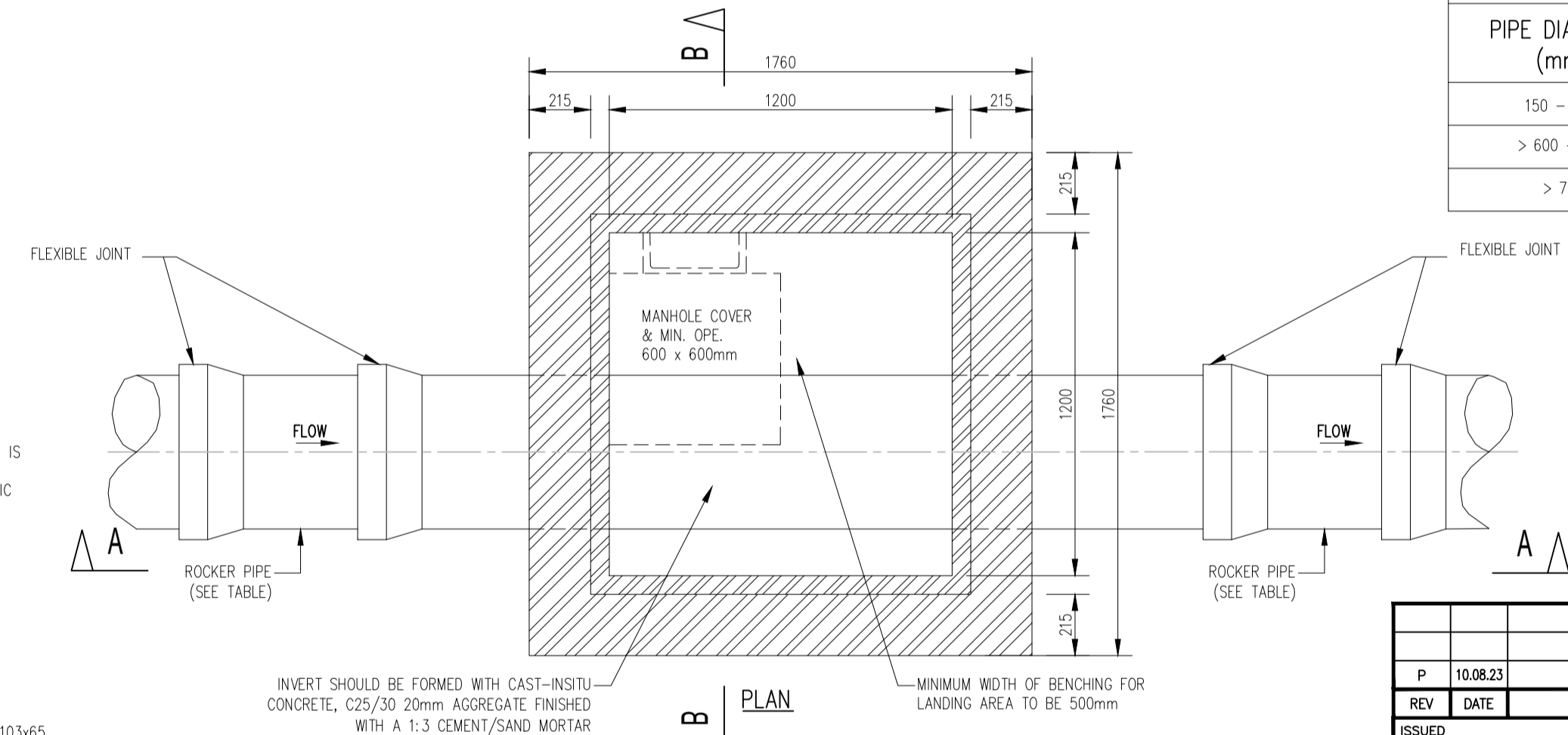
**MANHOLE DETAIL > 3m & < 6m GROUND TO SOFFIT DEPTH**  
(NOTE: ON MANHOLES < 1.5m, REDUCING SLAB NOT TO BE USED & PCC TO CONTINUE UP TO COVER SLAB)



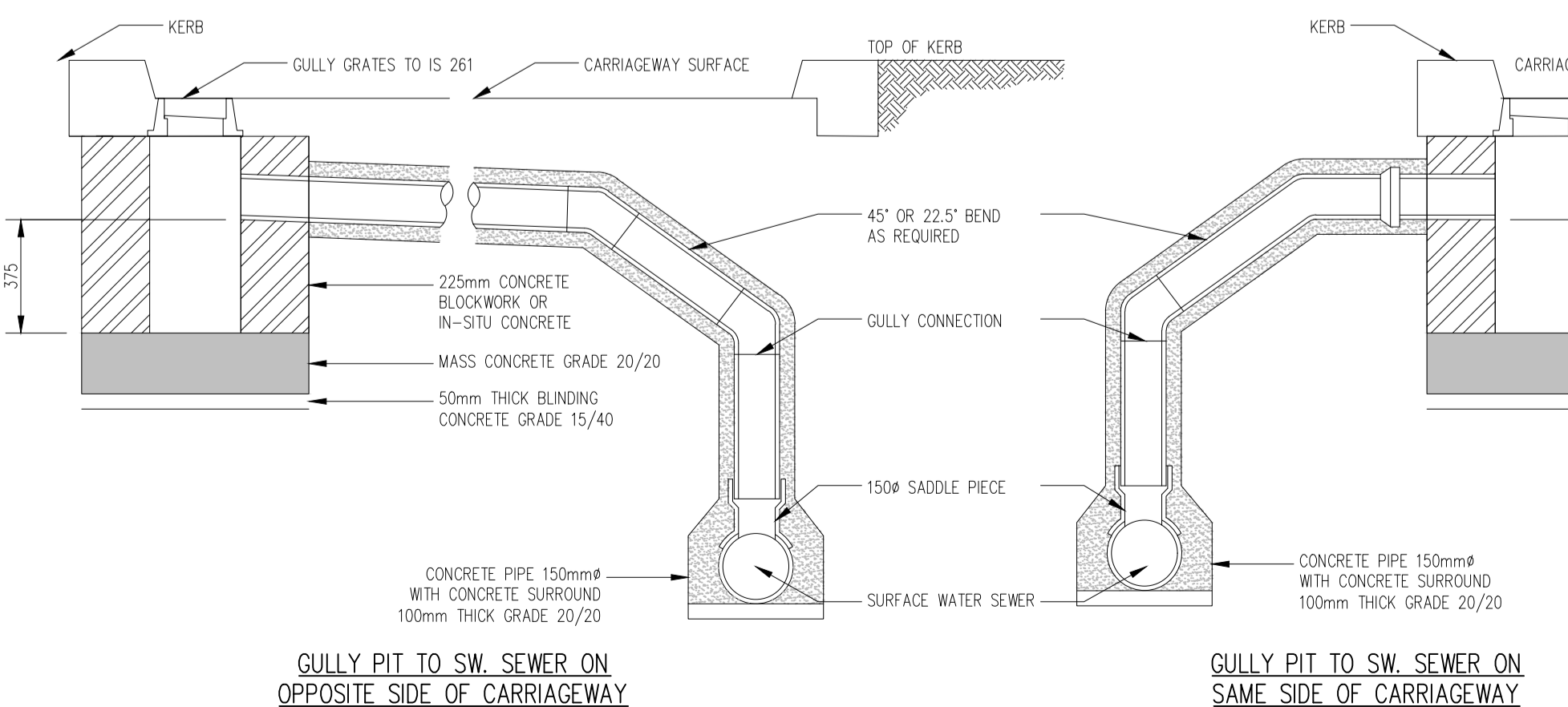
**DETAIL 08 - PRE-CAST CONCRETE MANHOLE**



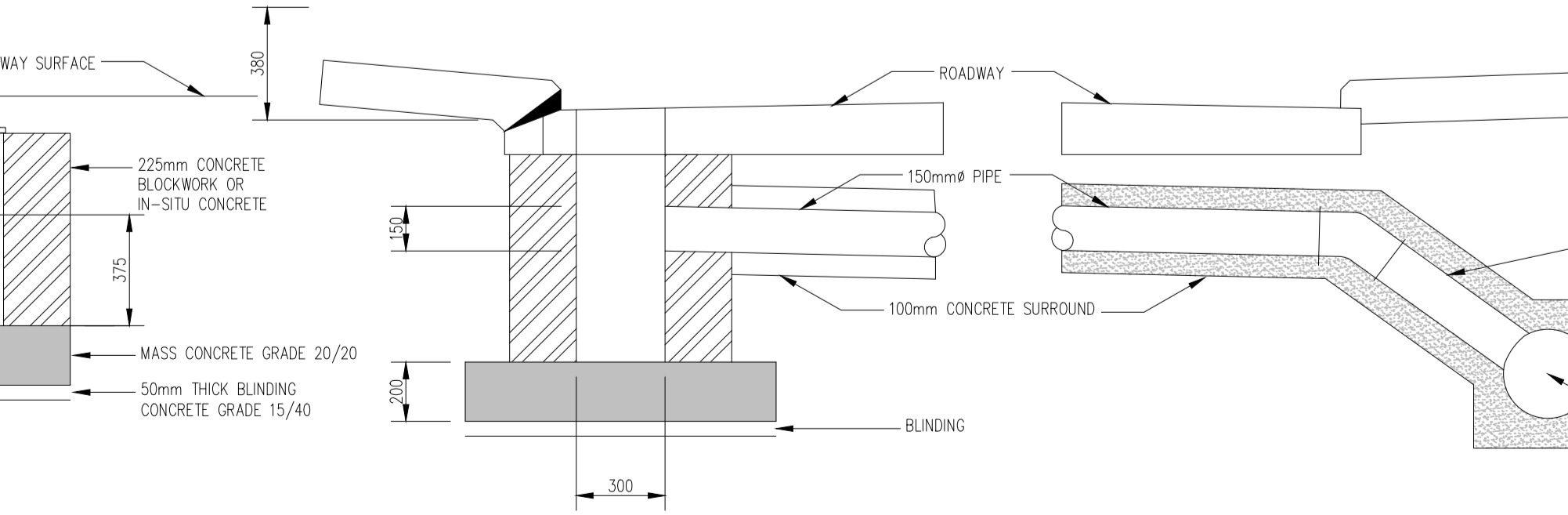
ROCKER PIPE LENGTH	
PIPE DIAMETER (mm)	ROCKER PIPE LENGTH (mm)
150 - 600	600
> 600 - 750	1000
> 750	1250



**DETAIL 07 - BLOCKWORK MANHOLE (< 450mm)**



**GULLY PIT TO SW SEWER ON OPPOSITE SIDE OF CARRIAGEWAY**



**GULLY CONNECTION TO SW SEWER ACROSS ROADWAY**

REV	DATE	DESCRIPTION	DWG BY	APPR BY
P	10.08.23	ISSUED FOR PLANNING	FS	LM

ISSUED  
**PLANNING**

CLIENT  
SOPHIA HOUSING

PROJECT NAME  
ST JOHN'S CONVENT  
RATHANGAN

DRAWING NAME  
IRISH WATER FOUL  
& SURFACE DRAINAGE  
DETAILS SHEET 2 OF 4

PROJECT No.  
20D004

DRAWING No. 03B	REVISION P
SCALE AS SHOWN	DRAWN DATE 10.08.23

CAD DRAWN BY F.S.	CHECKED BY L.M.	APPROVED BY D.H.
----------------------	--------------------	---------------------

**HAYES HIGGINS PARTNERSHIP**

The Glass House, 11 Coke Lane  
Smithfield, Dublin 7. Tel: 01 6612321  
E-mail: admin@hayeshiggins.ie  
Gas House Lane, Kilkenny. Tel: (056) 7764710  
Email: info@hhp.ie